

8

7

6

5

4

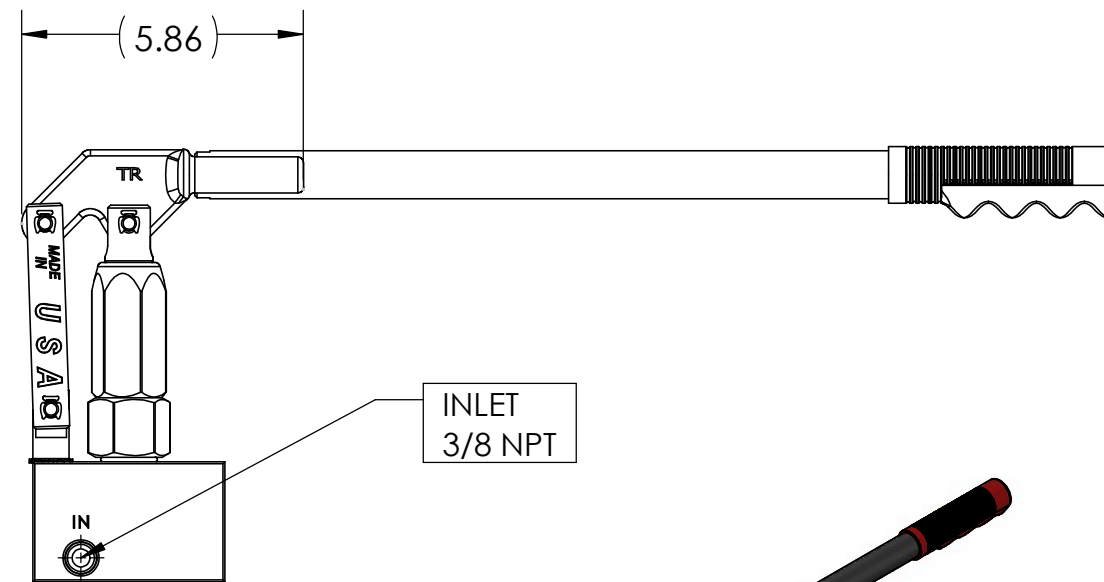
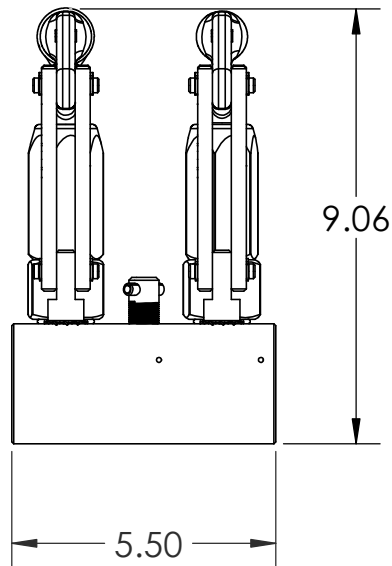
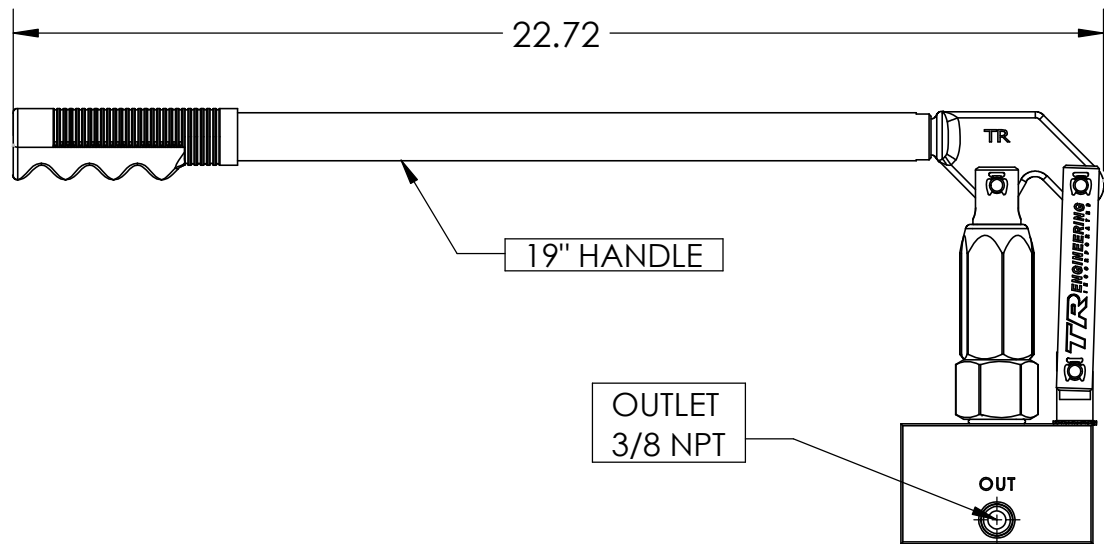
3

2

1

D

D

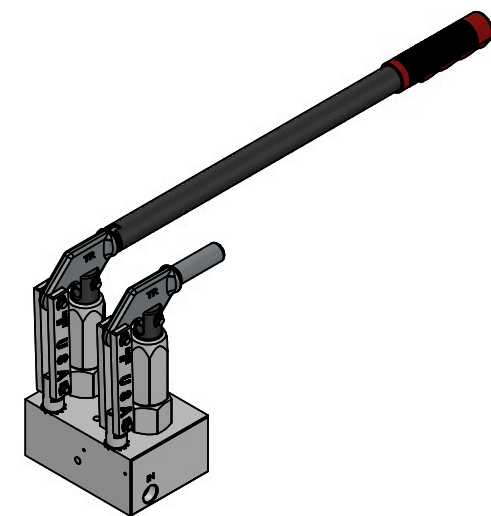
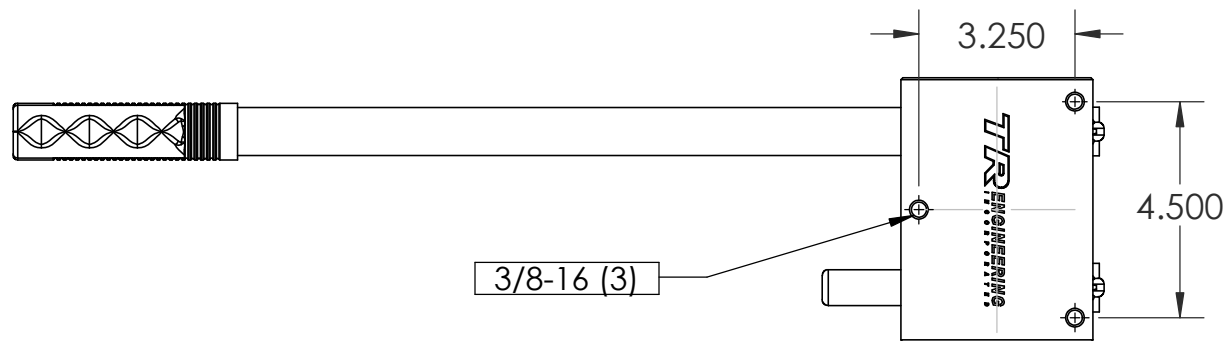


C

C

B

B



ISOMETRIC VIEW

A

A

TR ENGINEERING
INCORPORATED

1350 Green Hills Road #10, Scotts Valley, CA 95066 (831) 430-9920 (831) 430-9989 Fax

NAME	DATE	TITLE:
DRAWN		
	2024	INSTALLATION DWG
P/N	200-X-X	REV
SHEET 1 OF 2		

8

7

6

5

4

3

2

1